

1

2

3

4

A

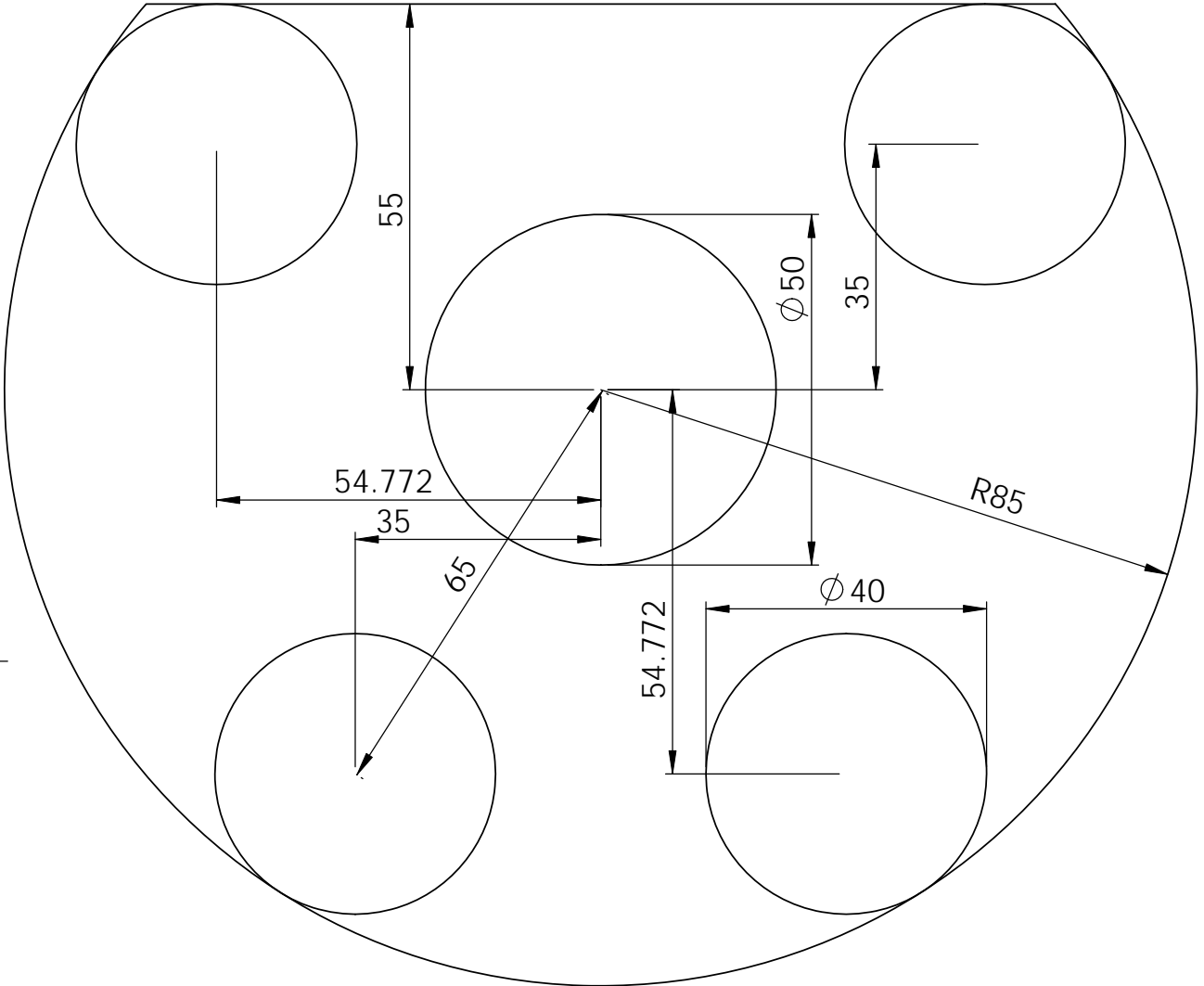
B

C

D

E

F



UNLESS OTHERWISE SPECIFIED:
DIMENSIONS ARE IN MILLIMETERS

DO NOT SCALE DRAWING

REVISION 1.1

	NAME	SIGNATURE	DATE
DRAWN	Joydeep Biswas		Friday, December 04, 2009 10:09:43 AM
CHK'D			
APPV'D			
MFG			
Q.A			

TITLE:
SSL Vision Standard Pattern

DWG NO.
StandardPatternAllDimensions

A4

SCALE:1:1

SHEET 1 OF 1